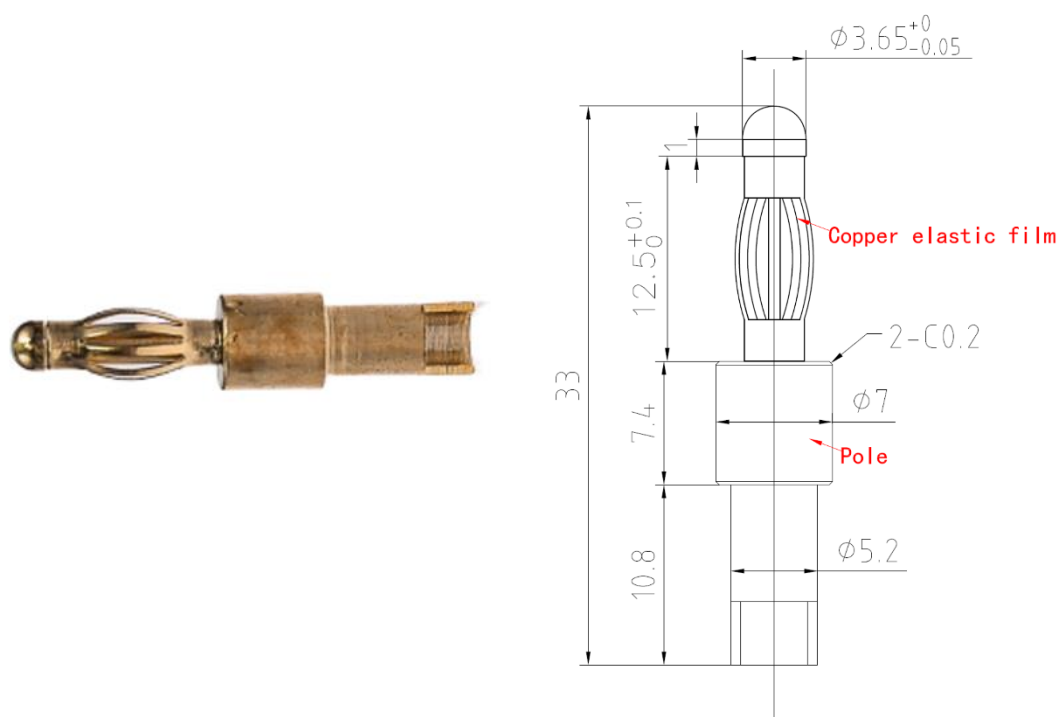


JANTZEN AUDIO

Banana Plug (For soldering)

Gold Plated - Max 4 mm² cable thickness

Product index: 012-0120



Technical Data:

Max. cable thickness: 4 mm²

Plating: Gold

Weight: 5 grams

Sold per piece