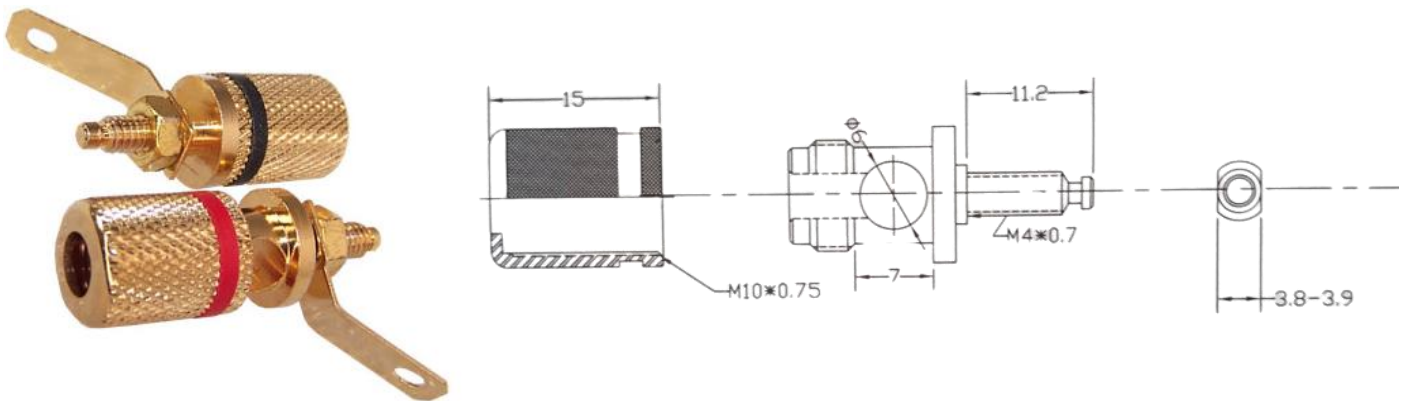


JANTZEN AUDIO

Binding Post M4 / 8mm

Gold Plated

Product index: 012-0160



Technical Data:

Overall length: 30 mm

Max wall thickness: 8 mm

Plating: Gold

Weight: 23 grams (pair)

Solder tag connection

Can receive banana plugs

Can receive up to 5.75 mm diameter wire from the side opening

Sold per pair (Black/Red markings)