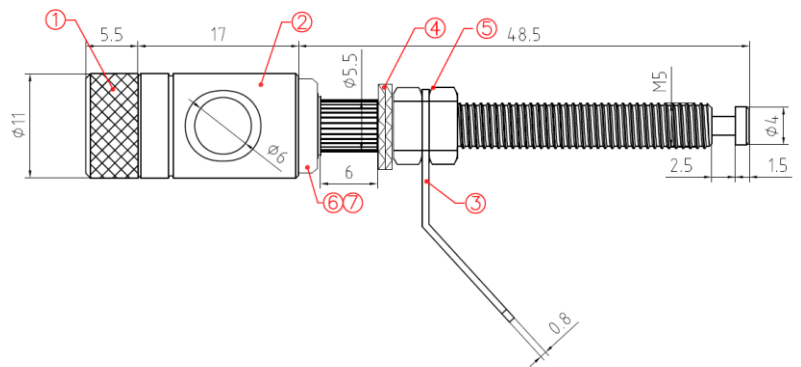


# JANTZEN AUDIO

Binding Post M5 / 38 mm

Gold Plated

Product index: 012-0170



## Technical Data:

**Overall length:** 72 mm

**Wall thickness:** Max. 38 mm

**Plating:** Gold

**Weight:** 44 grams (pair)

Solder tag connection

Can receive banana plugs

Can receive up to 5.75 mm diameter wire from the side opening

Sold per pair (Black/Red markings)