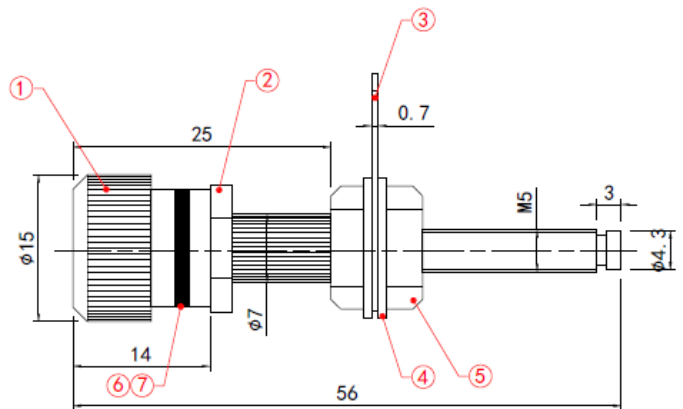


JANTZEN AUDIO

Binding Post M6 / 27 mm

Gold Plated

Product index: 012-0180



Technical Data:

Overall length: 52 mm

Max. wall thickness: 27 mm

Plating: Gold

Weight: 54 grams (pair)

Solder tag connection

Can receive banana plugs

Can receive up to 5.75 mm diameter wire from the side opening

Sold per pair (Black/Red markings)