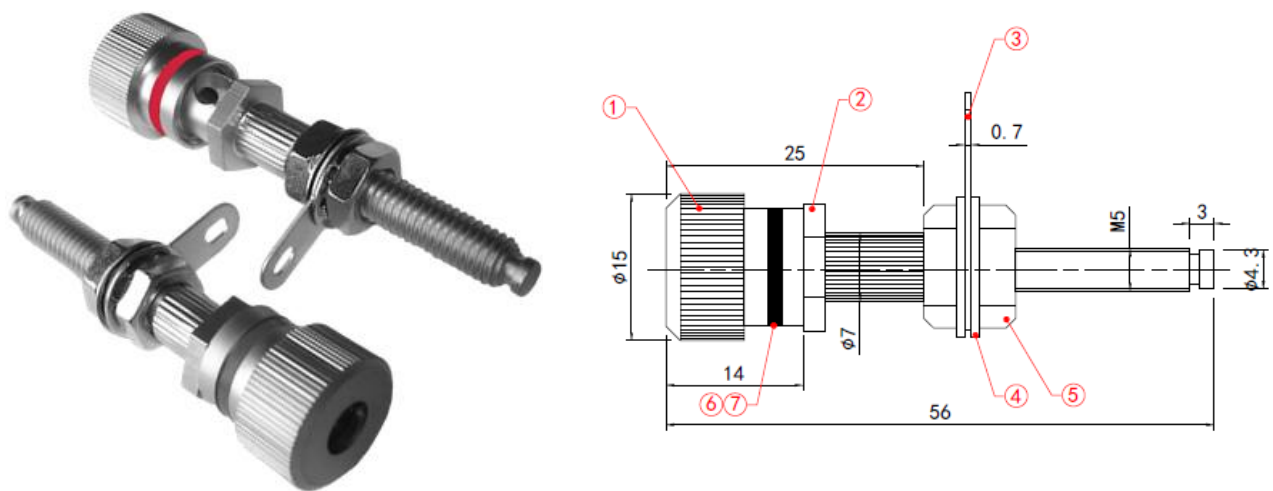


# JANTZEN AUDIO

**Binding Post M6 / 27 mm**

**Satin Nickel Finish**

**Product index: 012-0190**



## **Technical Data:**

**Overall length: 52 mm**

**Max. wall thickness: 27 mm**

**Finish: Satin Nickel**

**Weight: 54 grams (pair)**

Solder tag connection

Can receive banana plugs

Can receive up to 5.75 mm diameter wire from the side opening

Sold per pair (Black/Red markings)