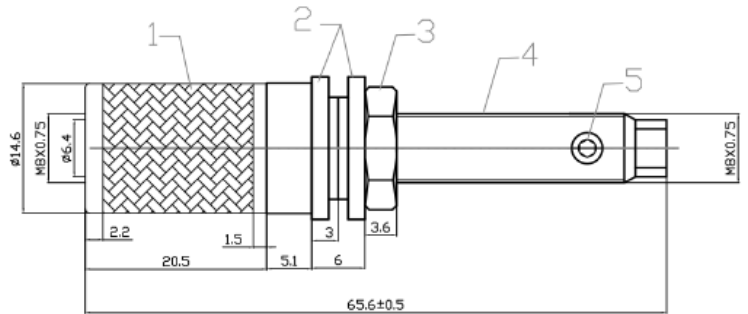


JANTZEN AUDIO

Binding Post M8 / 27 mm

Satin Nickel Finish - Carbon effect jacket

Product index: 012-0199



Technical Data:

Overall length: 67 mm

Max. wall thickness: 27 mm

Finish: Satin Nickel

Weight: 82 grams (pair)

Chassis cutout keyhole shape to accommodate insulation washer

The round portion is 12 mm diameter

Solderable and grub screw connection, can use wire up to 4mm

Can receive banana plugs

Can receive up to 4.3 mm diameter wire from the side opening

Sold per pair (Black/Red markings)