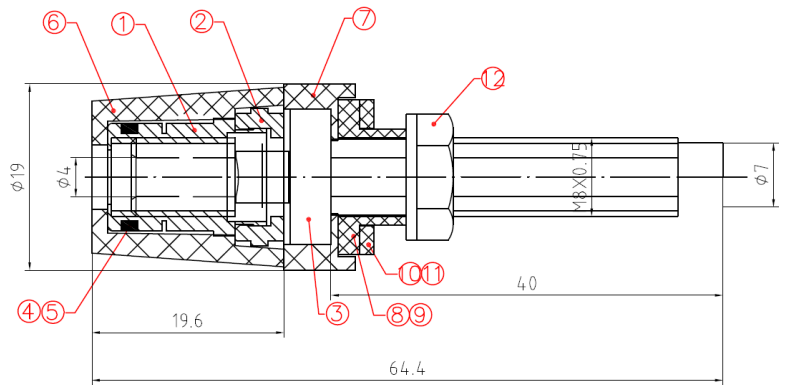


JANTZEN AUDIO

Binding Post M8 / 24 mm

Gold Plated

Product index: 012-0200



Technical Data:

Overall length: 64 mm

Max. wall thickness: 24 mm

Plating: Gold

Weight: 70 grams (pair)

Can receive banana plugs

Can receive up to 5.75 mm diameter wire from the side opening

Sold per pair (Black/Red markings)