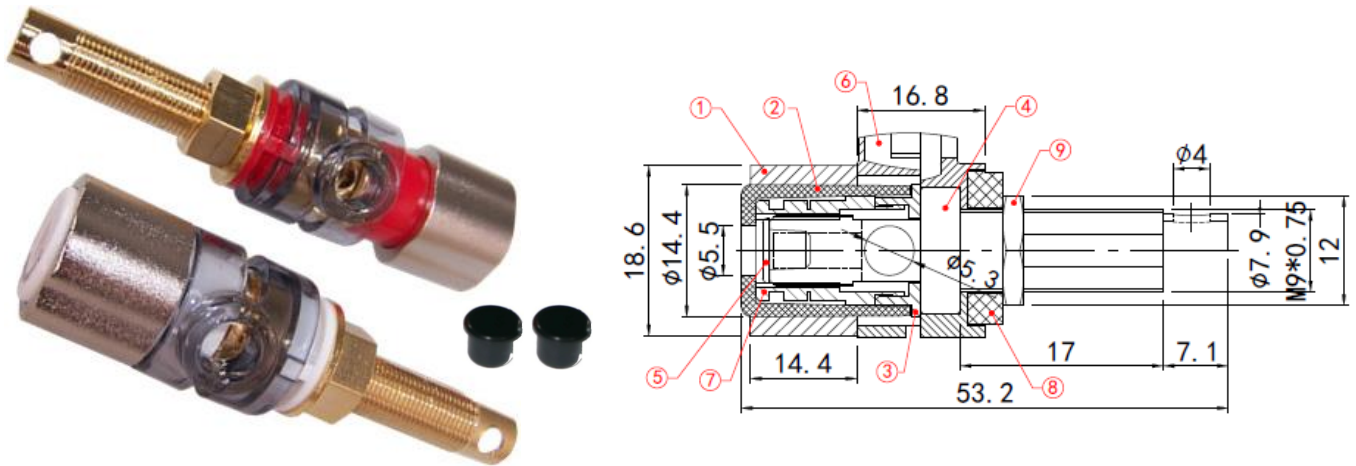


# JANTZEN AUDIO

Binding Post M9 / 20 mm

Gold Plated

Product index: 012-0209



## Technical Data:

**Overall length:** 71 mm

**Max. wall thickness:** 20 mm

**Finish:** Satin Nickel

**Connection Plating:** Gold

**Weight:** 97 grams (pair)

Can receive banana plugs

Can receive up to 5.75 mm diameter wire from the side opening

Sold per pair (Red/White markings)