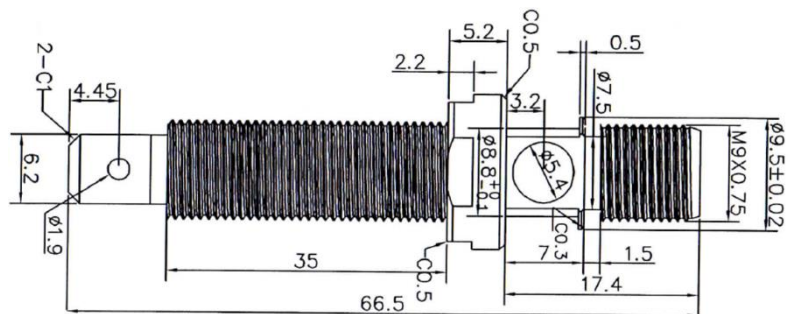


JANTZEN AUDIO

Binding Post M9 / 26 mm

Satin Nickel Finish

Product index: 012-0220



Technical Data:

Overall length: 70 mm

Finish: Satin Nickel

Max. wall thickness: 26 m

Weight: 96 grams (pair)

Chassis cutout keyhole shape to accommodate insulation washer

The round portion is 12 mm diameter

Solderable connection.

Can receive banana plugs

Can receive 5 mm diameter wire from the side opening

Sold per pair (Black/Red markings)