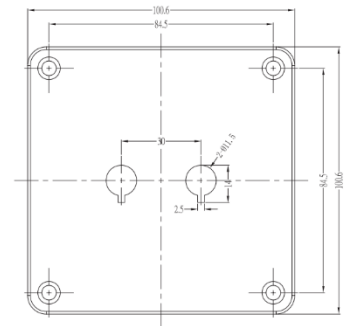
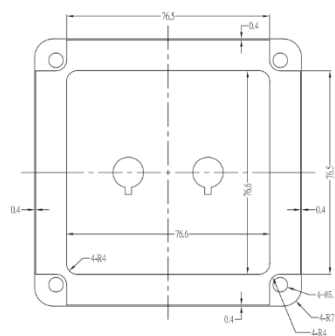


JANTZEN AUDIO

Binding Post Plate (Single)

Anodized (Black)

Product index: PE 091-602



Technical Data:

- **Size:** 100 mm x 100 mm
- **Thickness:** 4.5 mm
- **Weight:** 90 grams
- **Finish:** Smooth Anodized (Black)